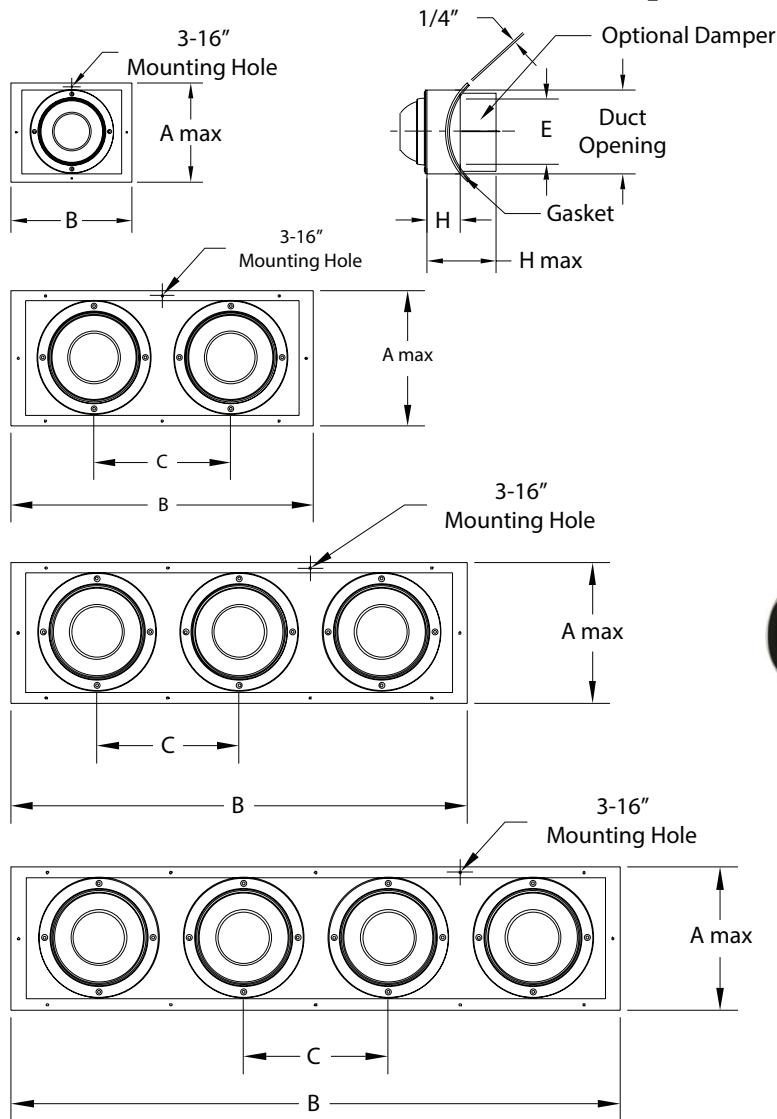


Aluminum Punkah Louver - Spherical Curved Frame Series



High Velocity Task Air Outlet

- Low Noise Levels
- Low Pressure Requirements

Adjustability

- Easy Finger Tip Adjustment
- Directional Air Pattern Control:
70 Degree Global Rotation Minimum
±35 Degree Deflection
360 Degree Rotation



Standard Material

- Heavy Gauge Aluminum
- Foam Gasket

Notes

- Mounting Screws Included

Options

- Extractor Damper
- Duct Diameter _____
- Custom Finish _____

Standard Finishes

- #12 anodized powder coat
- #42 gloss black powder coat
- #43 flat black powder coat
- #52 white powder coat
- #62 grey primer powder coat
(on field painting)
- #72 silver metallic powder coat
- #99 custom color / color match
(paint chip needed)

Project :

Architect :

Engineer :

Contractor :

Submitted By :

Date :

APLS Series

Aluminum Punkah Louver
- Spherical Curved Frame

Form # : 20034S

Drawn By : MH January 2016

Aluminum Punkah Louver - Spherical Curved Frame Series

MODEL	E	APL PER PANEL	C	A-Max	B	H	H-Max	Duct Opening	Min. Duct Dia.
APLS-04C-1	4	1	-	9	9	3	10-3/16	7 x 7	8
APLS-04C-2	4	2	6	9	17-1/2	3	10-3/16	7 x 15-1/2	8
APLS-04C-3	4	3	6	9	22-1/2	3	10-3/16	7 x 20-1/2	8
APLS-04C-4	4	4	6	9	28-1/2	3	10-3/16	7 x 26-1/2	8
APLS-06C-1	6	1	-	11	11	3	12	9 x 9	10
APLS-06C-2	6	2	9	11	21-1/2	3	12	9 x 19-1/2	10
APLS-06C-3	6	3	9	11	30-1/2	3	12	9 x 28-1/2	10
APLS-06C-4	6	4	9	11	39-1/2	3	12	9 x 37-1/2	10
APLS-08C-1	8	1	-	13	13	4	12-3/4	11 x 11	12
APLS-08C-2	8	2	12	13	26-1/2	4	12-3/4	11 x 24-1/2	12
APLS-08C-3	8	3	12	13	38-1/2	4	12-3/4	11 x 36-1/2	12
APLS-08C-4	8	4	12	13	50-1/2	4	12-3/4	11 x 48-1/2	12
APLS-10C-1	10	1	-	15	15	4	14-1/2	13 x 13	14
APLS-10C-2	10	2	13	15	29-1/2	4	14-1/2	13 x 27-1/2	14
APLS-10C-3	10	3	13	15	42-1/2	4	14-1/2	13 x 40-1/2	14
APLS-10C-4	10	4	13	15	55-1/2	4	14-1/2	13 x 53-1/2	14
APLS-12C-1	12	1	-	17	17	4	16-1/8	15 x 15	18
APLS-12C-2	12	2	15	17	33-1/2	4	16-1/8	15 x 31-1/2	18
APLS-12C-3	12	3	15	17	48-1/2	4	16-1/8	15 x 46-1/2	18
APLS-12C-4	12	4	15	17	63-1/2	4	16-1/8	15 x 61-1/2	18

(Inches measured to the nearest 1/16")

Project :	<h2>APLS Series</h2> <p>Aluminum Punkah Louver - Spherical Curved Frame</p>	
Architect :		
Engineer :		
Contractor :		
Submitted By :	Date :	Form # : 20034S
		Drawn By : MH January 2016