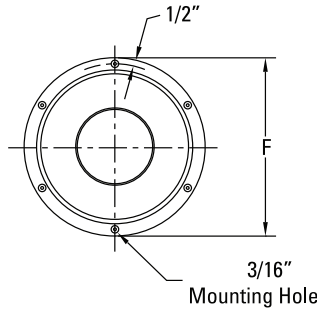
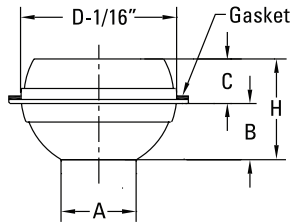


Aluminum Punkah Louver - Spherical Series



High Velocity Task / Air Outlet

- Low Noise Levels
- Low Pressure Requirements

Adjustability

- Easy Finger Tip Adjustment
- Directional Air Pattern Control
- 70° Global Rotation Minimum
- ±35° Deflection
- 360° Rotation

MODEL	Size	A	B	C	D	F	H	Mtg Holes
APLS-04	4	2	1-13/16	3/4	4	6	2-9/16	3
APLS-06	6	3	2-1/16	1-7/16	6	8	3-1/2	4
APLS-08	8	4-3/8	3-1/8	1-3/4	8	10	4-7/8	4
APLS-10	10	5-3/4	4	2-7/8	10	12	6-7/8	6
APLS-12	12	7-3/8	4-1/2	3	12	14	7-1/2	6
APLS-14	14	8-5/8	5-1/2	4-1/8	14	16	9-5/8	6
APLS-16	16	9-3/4	6-1/8	4-3/4	16	18	10-7/8	6
APLS-18	18	10-1/2	7-1/2	4-1/4	18	20	11-3/4	8
APLS-20	20	12-3/8	7-5/8	4-7/8	20	22	12-1/2	8

(Inches measured to the nearest 1/16")

Standard Material

- Heavy Gauge Aluminum
- Foam Gasket

Notes

- Mounting Screws Included

Options

- Custom Finish _____

Standard Finishes

- #00 mill
- #10 clear anodized
- #12 anodized powder coat
- #42 gloss black powder coat
- #43 flat black powder coat
- #52 white powder coat
- #62 grey primer powder coat (on field painting)
- #72 silver metallic powder coat
- #99 custom color / color match (paint chip needed)

Project :	<h2>APLS Series</h2> <p>Aluminum Punkah Louver - Spherical Series</p> <p>Form # : 20015S</p> <p>Drawn By : MH May 2004</p>
Architect :	
Engineer :	
Contractor :	
Submitted By :	
Date :	