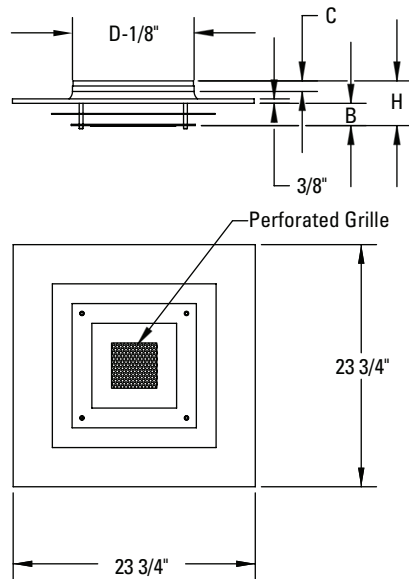


Pyramid Plaque Diffuser - Variable Pattern - Lay In Panel



High Velocity / High Aspiration Air Outlet

- Distinctive Square Design
- Horizontal Air Pattern
- Vertical air pattern when blank-off plate removed
- Installs Easily in T-Bar Ceiling Grid

MODEL	B	C	D	H
PPDV-06-LI	2	1-3/16	6	4-1/4
PPDV-08-LI	2	1-3/16	8	4-1/4
PPDV-10-LI	2	1	10	4-1/4
PPDV-12-LI	2	1	12	4-1/4
PPDV-14-LI	2	1-1/4	14	5-1/4
PPDV-16-LI	2	1-1/4	16	5-1/4

(Inches measured to the nearest 1/16")

Standard Material

- Heavy Gauge Aluminum

Notes

- Lay In Ceiling Installation

Options

- Acoustical tile mounting kit
- Custom Finish _____

Standard Finishes

- #00 mill
- #12 anodized powder coat
- #42 gloss black powder coat
- #43 flat black powder coat
- #52 white powder coat
- #62 grey primer powder coat (on field painting)
- #72 silver metallic powder coat
- #99 custom color / color match (paint chip needed)

Project :	PPDV-LI Series Pyramid Plaque Diffuser - Variable Pattern - Lay In Panel	
Architect :		
Engineer :		
Contractor :	Form # : 10071S	
Submitted By :	Date :	Drawn By : MH February 2007