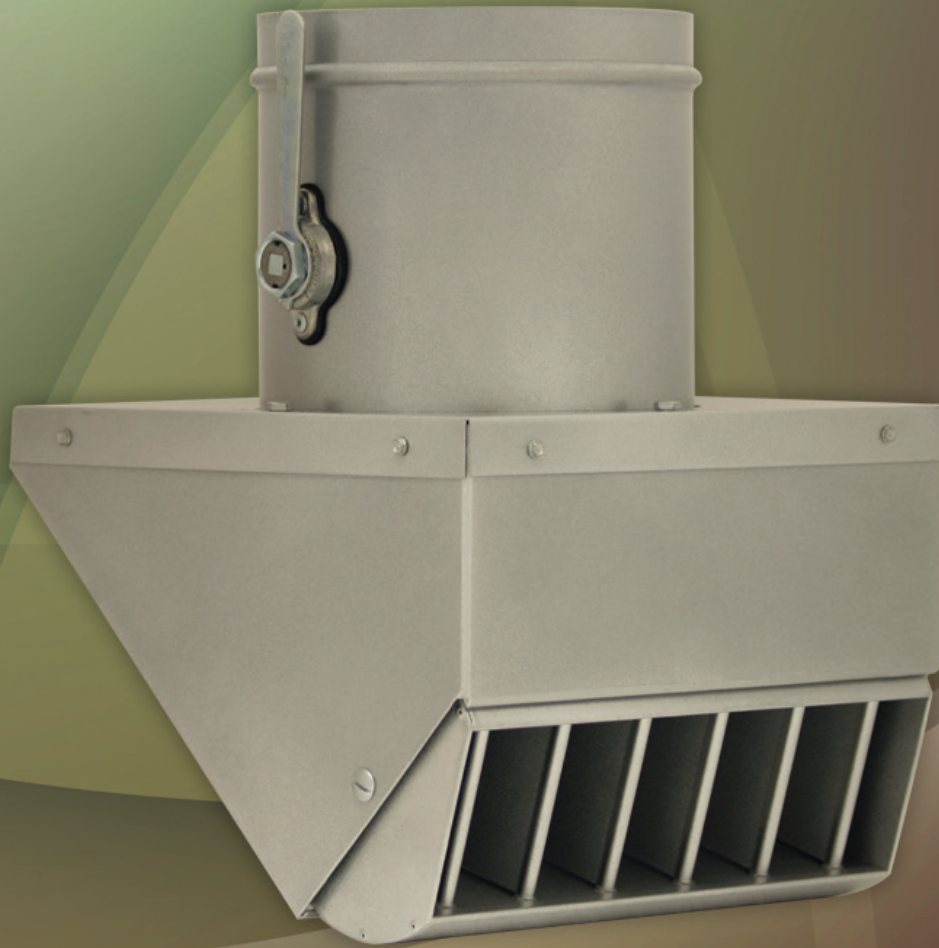


AIRCONCEPTS

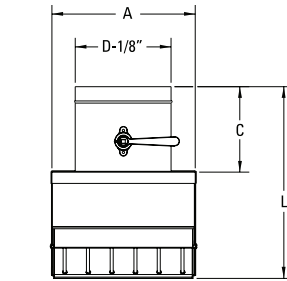
AIR DISTRIBUTION PRODUCTS



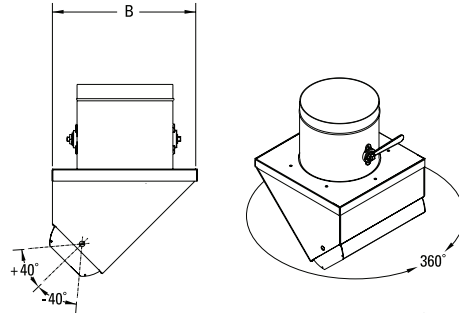
TDL SERIES

TDL Dimensions in Inches

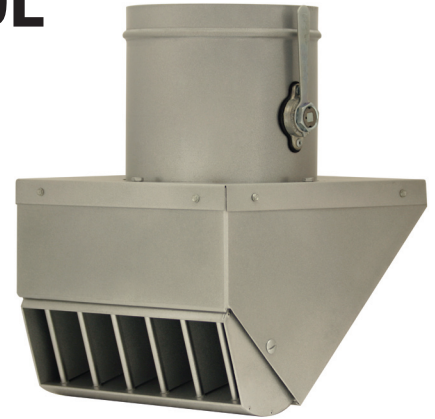
MODEL	A	B	C	D	L
TDL-06	12	10	7	6	15 ³ / ₁₆
TDL-08	12	12	8	8	16 ¹³ / ₁₆
TDL-10	14	14	10	10	18 ¹¹ / ₁₆
TDL-12	20	16	11	12	21 ⁵ / ₈



MODEL	DRUM LOUVER SIZE
TDL-06	12" x 4"
TDL-08	12" x 6"
TDL-10	14" x 8"
TDL-12	20" x 8"



TDL



Adjustability

Easy Finger Tip Adjustment
 Directional Air Pattern Control:
 ±40° Degree Deflection
 360° Degree Rotation

Construction

Heavy Gauge Steel Turret
 Aluminum Drum Louver

Finishes

Standard: #72 Silver Metallic Powder Coat
 Custom Colors Available

MODEL	Air Flow	Duct Velocity	Discharge Velocity	Projection	+40°		0°		-40°	
					Static Pressure	NC	Static Pressure	NC	Static Pressure	NC
TDL-06	100	509	676	4-8-16	0.02	<15	0.02	<15	0.03	<15
	150	764	1014	5-10-22	0.05	20	0.04	18	0.07	22
	200	1018	1351	8-17-31	0.08	28	0.07	26	0.11	30
	300	1527	2027	12-23-38	0.19	39	0.17	37	0.26	41
	400	2037	2703	14-31-46	0.34	47	0.30	45	0.43	49
TDL-08	150	430	557	5-11-21	0.03	<15	0.03	<15	0.04	<15
	300	860	1113	10-20-31	0.12	29	0.10	27	0.16	31
	450	1289	1670	16-27-37	0.26	40	0.23	38	0.36	41
	600	1719	2226	23-40-56	0.47	48	0.41	46	0.64	50
	750	2149	2783	29-50-69	0.74	54	0.66	52	1.00	56
TDL-10	300	550	640	12-23-37	0.06	18	0.05	16	0.08	20
	500	917	1066	18-33-48	0.17	32	0.14	30	0.22	34
	700	1283	1493	24-40-57	0.33	41	0.26	39	0.43	43
	900	1650	1919	28-46-65	0.53	47	0.42	45	0.69	49
	1100	2017	2345	31-51-74	0.81	53	0.65	51	1.07	55
TDL-12	400	510	600	14-30-42	0.05	15	0.04	<15	0.07	17
	700	892	1049	25-41-59	0.16	30	0.13	28	0.20	32
	1000	1274	1499	28-46-66	0.32	40	0.26	37	0.42	42
	1300	1656	1949	31-52-74	0.55	46	0.44	44	0.72	48
	1600	2038	2399	37-59-86	0.84	52	0.66	50	1.10	54

Performance data based on ASHRAE 70-06

Airflow CFM: Standard air density and isothermal conditions.

Noise Criteria: Noise criteria [NC] curve which is not exceeded with a Room Attenuation of 10db and based on Sound Power Level Re: 10-12 watts.

Static Pressure: Inches of water gauge required.

Projection: Projection distance [THROW] in feet from the Louver discharge at which the maximum velocity has been reduced to specified terminal velocity [VT].

Discharge Velocity: Discharge Velocity in feet per minute [fpm].

Terminal Velocity: Maximum velocity [Vt] in feet per minute at the specified distance from the outlet face [THROW] 200 fpm, 100 fpm, and 50 fpm respectively.

