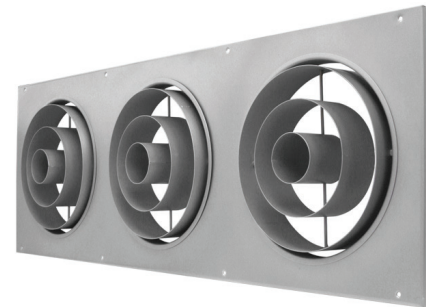
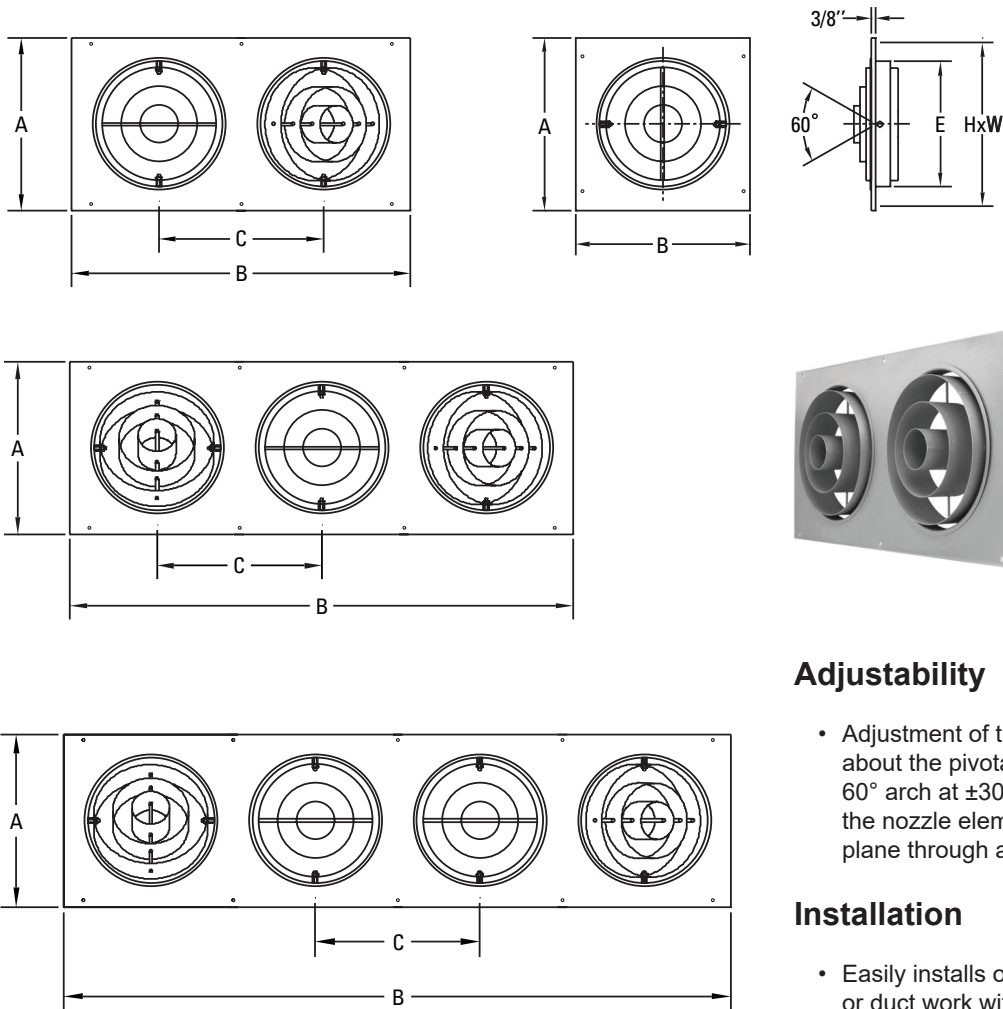


Air Nozzle Panel Series



Adjustability

- Adjustment of the concentric rings about the pivotal axis through a 60° arch at ±30°. Adjustment of the nozzle element about a fixed plane through a 360° rotation.

Installation

- Easily installs on wall, ceiling or duct work with included screws.

Standard Material

- Heavy Gauge Steel

Optional Material

- Heavy Gauge Aluminum
- Stainless Steel #304
- Stainless Steel #316

Notes

- Mounting Screws Included
- Custom Sizes Available
- Units 16" & 18" / 4 per panel
Assembly required w/ bolts supplied (two section panels)

Standard Finishes

- #00 mill (aluminum)
- #10 clear anodized (aluminum)
- #12 anodized powder coat
- #42 gloss black powder coat
- #43 flat black powder coat
- #52 white powder coat
- #62 grey primer powder coat (on field painting)
- #72 silver metallic powder coat
- #99 custom color / color match (paint chip needed)

Project :		ANC Panel Series Air Nozzle Panels
Architect :		
Engineer :		
Contractor :		
Submitted By :		Form # : 30010S
Date :		Drawn By : MH January 2002

AIRCONCEPTS



SUBMITTAL

MODEL	E	# Per Panel	C	# Per Ring	A	B	H	W
ANC-04-1	4	1	-	3	8	8	6	6
ANC-04-2	4	2	6	3	8	15	6	12
ANC-04-3	4	3	6	3	8	20	6	18
ANC-04-4	4	4	6	3	8	26	6	24
ANC-05-1	5	1	-	3	10	10	8	8
ANC-05-2	5	2	8	3	10	18	8	16
ANC-05-3	5	3	8	3	10	24	8	22
ANC-05-4	5	4	8	3	10	32	8	30
ANC-06-1	6	1	-	3	10	10	8	8
ANC-06-2	6	2	9	3	10	19	8	17
ANC-06-3	6	3	9	3	10	28	8	26
ANC-06-4	6	4	9	3	10	37	8	35
ANC-08-1	8	1	-	3	12	12	10	10
ANC-08-2	8	2	12	3	12	24	10	22
ANC-08-3	8	3	12	3	12	36	10	34
ANC-08-4	8	4	12	3	12	48	10	46
ANC-10-1	10	1	-	3	14	14	12	12
ANC-10-2	10	2	13	3	14	27	12	25
ANC-10-3	10	3	13	3	14	40	12	38
ANC-10-4	10	4	13	3	14	53	12	51
ANC-12-1	12	1	-	3	16	16	14	14
ANC-12-2	12	2	15	3	16	31	14	29
ANC-12-3	12	3	15	3	16	46	14	44
ANC-12-4	12	4	15	3	16	61	14	59
ANC-14-1	14	1	-	4	18	18	16	16
ANC-14-2	14	2	17	4	18	35	16	33
ANC-14-3	14	3	17	4	18	52	16	50
ANC-14-4	14	4	17	4	18	69	16	67
ANC-16-1	16	1	-	4	20	20	18	18
ANC-16-2	16	2	20	4	20	40	18	38
ANC-16-3	16	3	20	4	20	60	18	58
ANC-16-4*	16	4	20	4	20	80	18	78
ANC-18-1	18	1	-	4	22	22	20	20
ANC-18-2	18	2	22	4	22	46	20	44
ANC-18-3	18	3	22	4	22	67	20	64
ANC-18-4*	18	4	22	4	22	90	20	88
ANC-20-1	20	1	-	5	24	24	22	22
ANC-22-1	22	1	-	5	26	26	24	24
ANC-24-1	24	1	-	5	28	28	26	26

* Units shipped in two sections - Assembly bolts supplied.

(Inches measured to the nearest 1/16")

Project :	ANC Panel Series Air Nozzle Panels	
Architect :		
Engineer :		
Contractor :	Form # : 30010S	
Submitted By :	Date :	Drawn By : MH January 2002