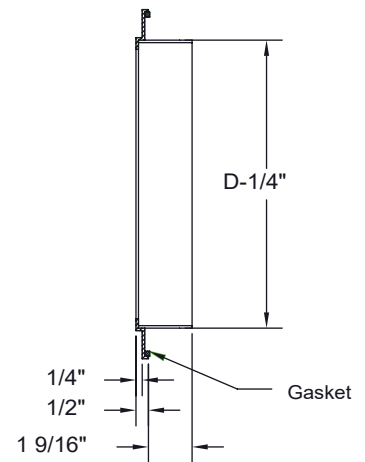
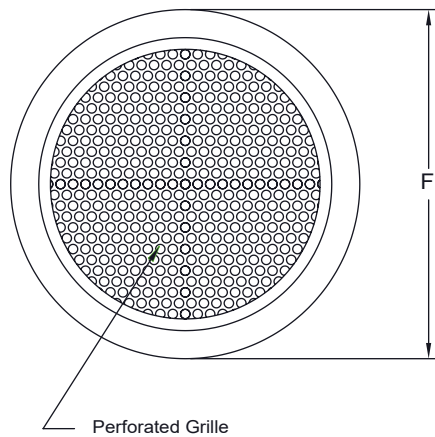


## Architectural Perforated Grille



MODEL	Size	D	F
APG-06	6	6	8-1/4
APG-08	8	8	10-1/4
APG-10	10	10	12-1/4
APG-12	12	12	14-1/4
APG-14	14	14	16-1/4
APG-16	16	16	18-1/4
APG-18	18	18	20-1/4
APG-20	20	20	22-1/4
APG-22	22	22	24-1/4
APG-24	24	24	26-1/4

(Inches measured to the nearest 1/16")

### Perforated Grille

- Can be Utilized for Supply, Return or Exhaust Air
- Wall or Ceiling Mount

### Standard Material

- Heavy Gauge Aluminum
- Foam Gasket

### Notes

- Concealed Mounting System
- Mounting Screws Included

### Options

- Flext Duct Mounting Kit
- Custom Finish \_\_\_\_\_

### Standard Finishes

- #00 mill
- #10 clear anodized
- #12 anodized powder coat
- #42 gloss black powder coat
- #43 flat black powder coat
- #52 white powder coat
- #62 grey primer powder coat (on field painting)
- #72 silver metallic powder coat
- #99 custom color / color match (paint chip needed)

<b>Project :</b>	<h1>APG Series</h1> <b>Architectural Perforated Grille</b>
<b>Architect :</b>	
<b>Engineer :</b>	
<b>Contractor :</b>	<b>Form # : 10090S</b>
<b>Submitted By :</b>	<b>Date :</b>
<b>Drawn By : MH May 2020</b>	