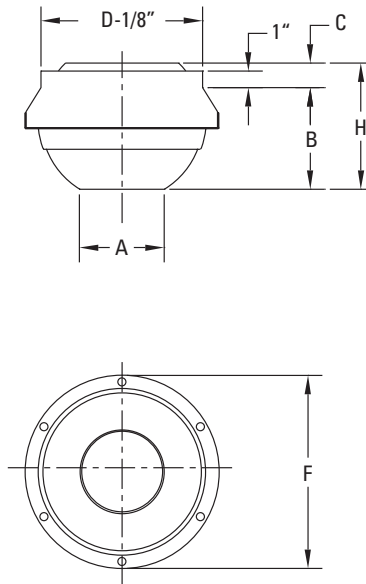


Aluminum Punkah Louver - Spherical Round Reducer Series



High Velocity Task / Air Outlet

- Low Noise Levels
- Low Pressure Requirements

Adjustability

- Easy Finger Tip Adjustment
- Directional Air Pattern Control
- 70° Global Rotation Minimum
- ±35° Deflection
- 360° Rotation

Installation

- Mounts Cleanly to Exposed Ductwork

MODEL	Size	A	B	C	D	F	H
APLS-06-RR	6	3	4-7/16	1	6	8	5-9/16
APLS-08-RR	8	4-3/8	5-5/8	1	8	10	6-5/8
APLS-10-RR	10	5-3/4	6-1/2	1	10	12	7-1/2
APLS-12-RR	12	7-3/8	7	1	12	14	8
APLS-14-RR	14	8-5/8	8	1-5/8	14	16	9-5/8
APLS-16-RR	16	9-3/4	8-5/8	2-1/4	16	18	10-7/8
APLS-18-RR	18	10-1/2	10	1-3/4	18	20	11-3/4
APLS-20-RR	20	12-3/8	10-1/8	2-3/8	20	22	12-1/2

(Inches measured to the nearest 1/16")

Standard Material

- Heavy Gauge Aluminum

Notes

- Frame Slides Cleanly Over End of Exposed Ductwork
- Mounting Screws Included

Options

- Custom Finish _____

Standard Finishes

- #00 mill
- #10 clear anodized
- #12 anodized powder coat
- #42 gloss black powder coat
- #43 flat black powder coat
- #52 white powder coat
- #62 grey primer powder coat (on field painting)
- #72 silver metallic powder coat
- #99 custom color / color match (paint chip needed)

Project :	<h2>APLS Series</h2> <p>Aluminum Punkah Louver - Spherical Round Reducer Series</p> <p>Form # : 20017S</p>	
Architect :		
Engineer :		
Contractor :		
Submitted By :	Date :	Drawn By : MH October 2004