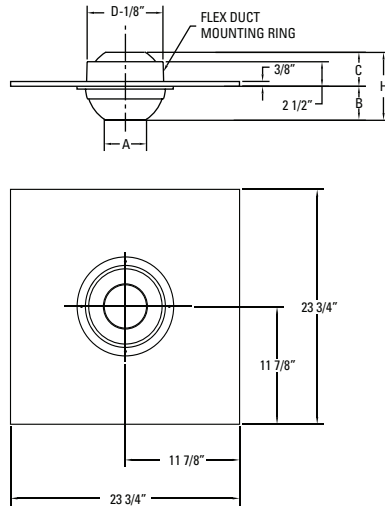


Aluminum Punkah Louver - Spherical Lay In Series



High Velocity Task Air Outlet

- Low Noise Levels
- Low Pressure Requirements

Adjustability

- Easy Finger Tip Adjustment
- Directional Air Pattern Control:
70 Degree Global Rotation Minimum
±35 Degree Deflection
360 Degree Rotation

Installation

- Installs Easily in T-Bar Ceiling Grid
- Flex Duct Mounting Included

MODEL	Size	A	B	C	D	H
APLS-04-LI	4	2	2-3-16	2-1/2	4	4-11/16
APLS-06-LI	6	3		2-1/2	6	4-3/4
APLS-08-LI	8	4-3/8		2-1/2	8	5-15/16
APLS-10-LI	10	5-3/4		2-9/16	10	6-7/8
APLS-12-LI	12	7-3/8		2-11/16	12	7-1/2
APLS-14-LI	14	8-5/8		3-13/16	14	9-1/4
APLS-16-LI	16	9-3/4		4-7/16	16	10-3/8
APLS-18-LI	18	10-1/2		3-15/16	18	10-7/8
APLS-20-LI	20	12-3/8		4-9/16	20	10-7/8

(Inches measured to the nearest 1/16")

Standard Material

- Heavy Gauge Aluminum
- Stainless Steel Damper Hardware

Notes

- Lay In Ceiling Installation
- Flex Duct Mounting Ring Included

Options

- Custom Finish _____

Standard Finishes

- #00 mill
- #10 clear anodized
- #12 anodized powder coat
- #42 gloss black powder coat
- #43 flat black powder coat
- #52 white powder coat
- #62 grey primer powder coat
(on field painting)
- #72 silver metallic powder coat
- #99 custom color / color match
(paint chip needed)

Project :	<h2>APLS Series</h2> <p>Aluminum Punkah Louver - Spherical Lay In Panel</p>	
Architect :		
Engineer :		
Contractor :		
Submitted By :	Date :	Form # : 20019S
		Drawn By : MH January 2005