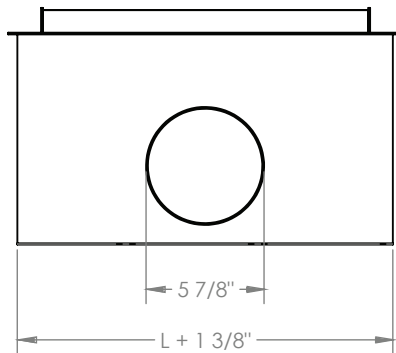
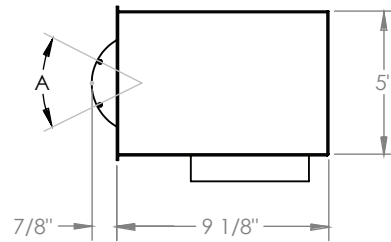
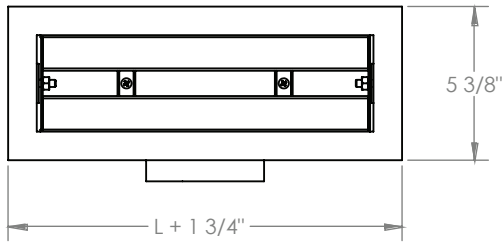


Drum Slot Plenum Box Series



Length
 ↓
DS-XX-X-PB
 ↑
 Slot Opening



Length	Slot Opening	Degree Rotation (A)
12	.5	100°
12	1	85°
12	1.5	70°
24	.5	100°
24	1	85°
24	1.5	70°
36	.5	100°
36	1	85°
36	1.5	70°
48	.5	100°
48	1	85°
48	1.5	70°

(measurements in inches)

Standard Material

- Drum Slot - Heavy Gauge Aluminum
- Plenum Box - Steel

Options

- Custom Finish _____

Notes

- 36" & 48" Lengths Come With 2 Inlet Connectors

Standard Finishes

- #00 mill
- #12 anodized powder coat
- #42 gloss black powder coat
- #43 flat black powder coat
- #52 white powder coat
- #62 grey primer powder coat (on field painting)
- #72 silver metallic powder coat
- #99 custom color / color match (paint chip needed)

Project :		DS-PB Series Drum Slot Plenum Box
Architect :		
Engineer :		
Contractor :		Form # : 40071S
Submitted By :	Date :	Drawn By : MH May 2026