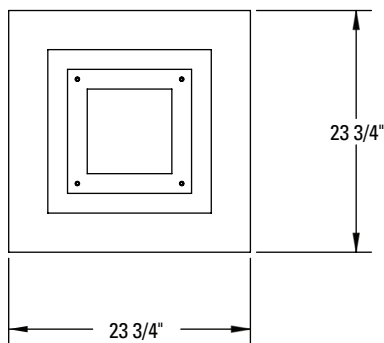
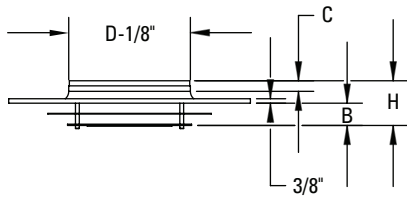


## Pyramid Plaque Diffuser - Lay In Panel



### High Velocity / High Aspiration Air Outlet

- Distinctive Square Design
- Horizontal Air Pattern
- Installs Easily in T-Bar Ceiling Grid

MODEL	B	C	D	H
PPD-06-LI	2	1-3/16	6	4-1/4
PPD-08-LI	2	1-3/16	8	4-1/4
PPD-10-LI	2	1	10	4-1/4
PPD-12-LI	2	1	12	4-1/4
PPD-14-LI	2	1-1/4	14	5-1/4
PPD-16-LI	2	1-1/4	16	5-1/4

(Inches measured to the nearest 1/16")

### Standard Material

- Heavy Gauge Aluminum

### Notes

- Lay In Ceiling Installation

### Options

- Acoustical tile mounting kit
- Custom Finish \_\_\_\_\_

### Standard Finishes

- #00 mill
- #12 anodized powder coat
- #42 gloss black powder coat
- #43 flat black powder coat
- #52 white powder coat
- #62 grey primer powder coat (on field painting)
- #72 silver metallic powder coat
- #99 custom color / color match (paint chip needed)

<b>Project :</b>	<b>PPD-LI Series</b> Pyramid Plaque Diffuser - Lay In Panel
<b>Architect :</b>	
<b>Engineer :</b>	
<b>Contractor :</b>	<b>Form # : 10070S</b>
<b>Submitted By :</b>	<b>Date :</b>
<b>Drawn By : MH January 2007</b>	