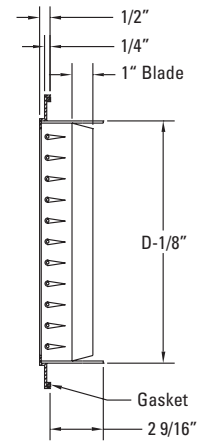
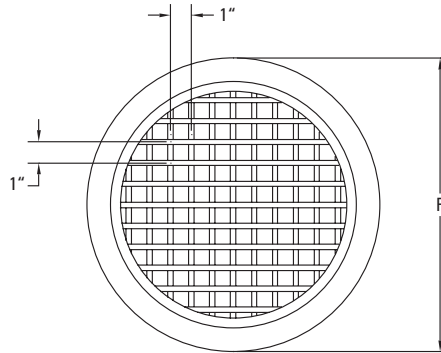


## Round Double Deflection Grille



MODEL	Size	D	F
RDD-06	6	6	8-1/4
RDD-08	8	8	10-1/4
RDD-10	10	10	12-1/4
RDD-12	12	12	14-1/4
RDD-14	14	14	16-1/4
RDD-16	16	16	18-1/4
RDD-18	18	18	20-1/4
RDD-20	20	20	22-1/4
RDD-22	22	22	24-1/4
RDD-24	24	24	26-1/4

(Inches measured to the nearest 1/16")

### High Velocity Task / Air Outlet

- Double Deflection Design
- Adjustable Vertical & Horizontal Blades
- Adjustable Air Pattern
  - Long Throws
  - Wide Dispersion Patterns
- 1" Extruded Airfoil Blades / 1" Spacing
- Wall or Ceiling Mount

### Standard Material

- Heavy Gauge Aluminum
- Foam Gasket

### Notes

- Concealed Mounting System (Steel)
- Mounting Screws Included

### Options

- Flex Duct Mounting Kit
- Custom Finish \_\_\_\_\_

### Standard Finishes

- #00 mill
- #12 anodized powder coat
- #42 gloss black powder coat
- #43 flat black powder coat
- #52 white powder coat
- #62 grey primer powder coat (on field painting)
- #72 silver metallic powder coat
- #99 custom color / color match (paint chip needed)

<b>Project :</b>	<h2>RDD Series</h2> <p>Round Double Deflection Grille</p>	
<b>Architect :</b>		
<b>Engineer :</b>		
<b>Contractor :</b>	<b>Form # : 10010S</b>	
<b>Submitted By :</b>	<b>Date :</b>	<b>Drawn By : MH January 2002</b>