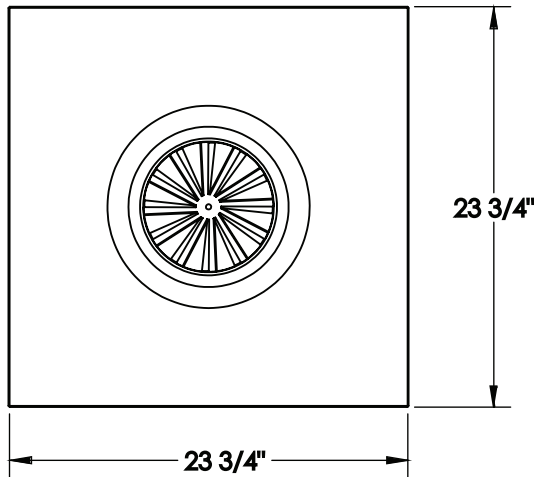
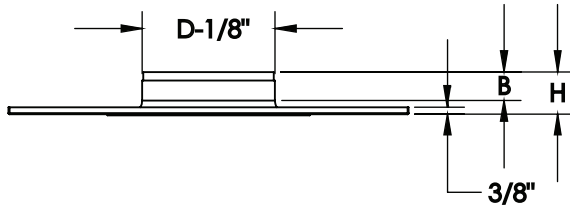


Swirl Diffuser - Round Lay-In



HIGH ASPIRATION AIR OUTLET

- Swirl Pattern Design
- Lay-In Panel
- Easy Installation

MODEL	B	D	H
SDR-06-LI	1-3/16	6	2
SDR-08-LI	1-3/16	8	2
SDR-10-LI	1	10	2
SDR-12-LI	1	12	2
SDR-14-LI	1-1/2	14	2-1/2
SDR-16-LI	1-3/8	16	2-1/2

Inches measured to the nearest 1/16 inch

Standard Material

- Heavy Gauge Aluminum Face

Options

- Custom Finish _____

Notes

- Lay-In Panel Design

Standard Finishes

- #00 mill
- #12 anodized powder coat
- #42 gloss black powder coat
- #43 flat black powder coat
- #52 white powder coat
- #62 grey primer powder coat (on field painting)
- #72 silver metallic powder coat
- #99 custom color / color match (paint chip needed)

Project :	<h2>SDR-LI Series</h2> <p>Swirl Diffuser - Round Lay-In</p>	
Architect :		
Engineer :		
Contractor :		Form # : 10053S
Submitted By :		Date :